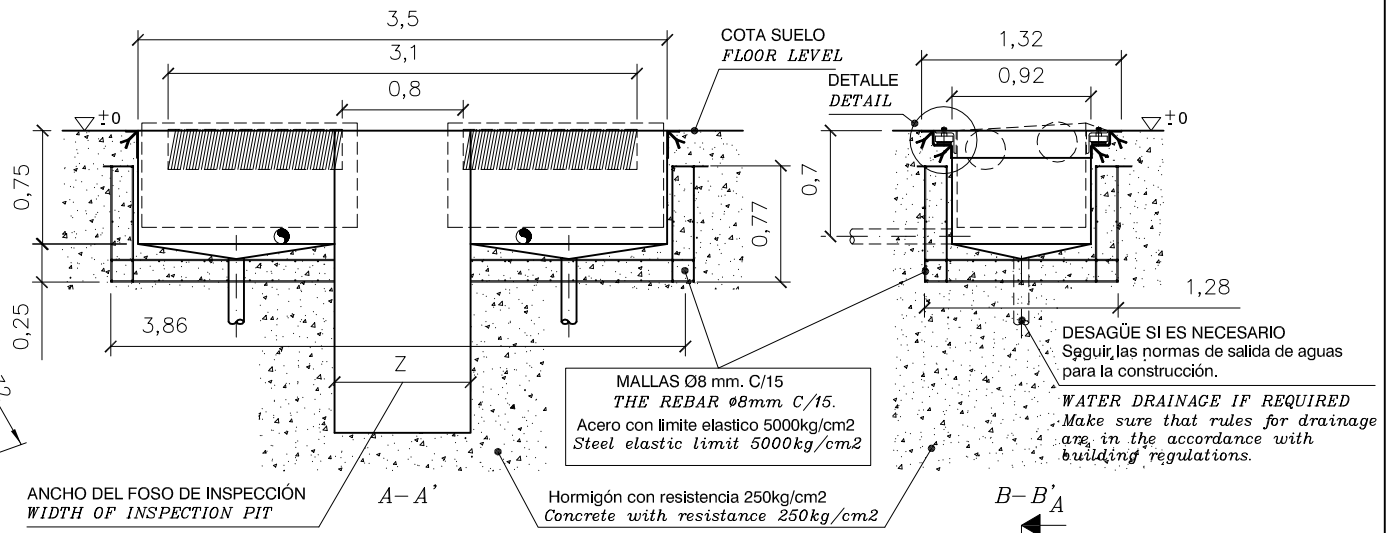
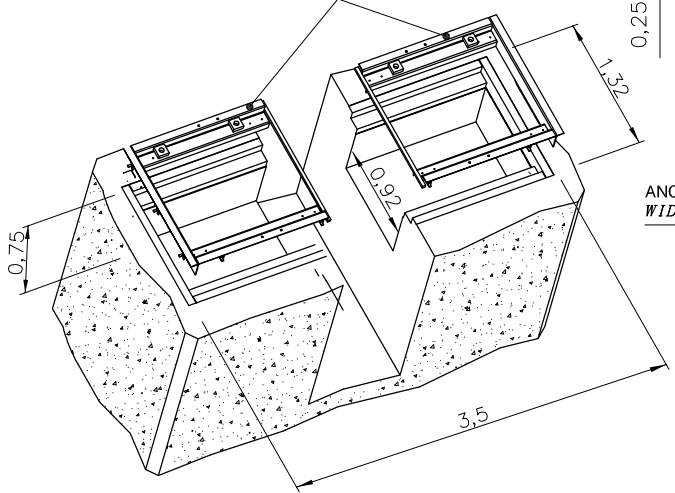


UTILIZAR MARCO DE ACERO  
REF. D12-B70004

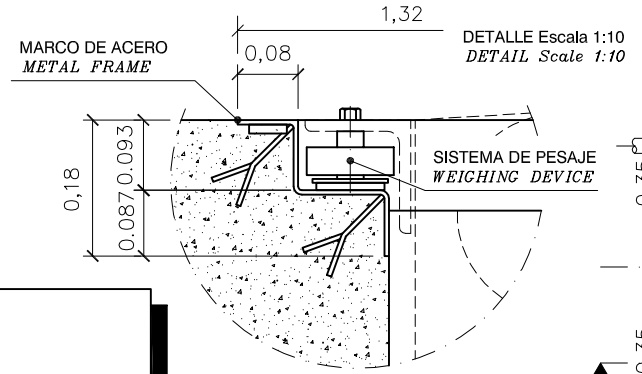
---

USE A METAL FRAME  
ACORDING TO  
REF. D12-B70004

ACOMETIDA  
POWER SUPPLY  
3 x 400V + N + PE  
CABLE: 5 x 10 mm<sup>2</sup>  
FUSE: 63A CURVE D  
POWER: 2 x 11kw  
DEJAR SOBRENTE DE 1m  
1m OVERHANG



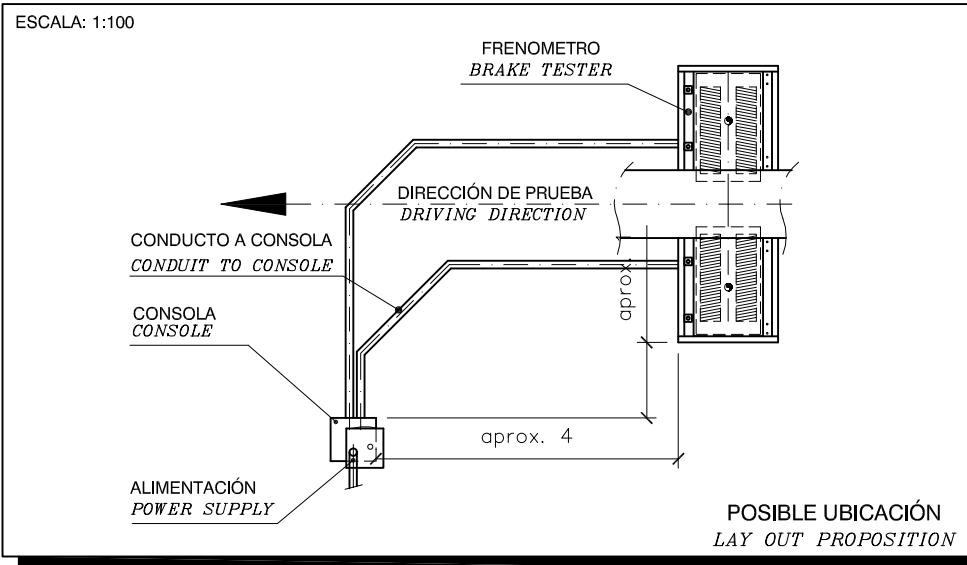
ANCHO DEL FOSO DE INSPECCIÓN  
WIDTH OF INSPECTION PIT



CONDUCTO A CONSOLA Ø100 mm.  
NO UTILIZAR CODOS RECTOS  
CONDUIT TO CONSOLE Ø100 mm.  
DON'T USE 90° TUB

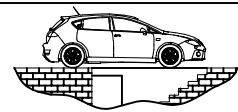
MARCO DE ACERO PERFECTAMENTE NIVELADO  
METAL FRAME PERFECTLY LEVELED

COTAS EN METROS  
DIMENSIONS IN METERS



**BRAK 7000 + PIT**  
Foundation

SCALE  
**1:50**



DRAWN:	M.Félez	10/07/13	NUMBER DRAWING:	VER.
CHECKED:	M.Félez	14/12/15	<b>D12-B70003</b>	<b>2</b>